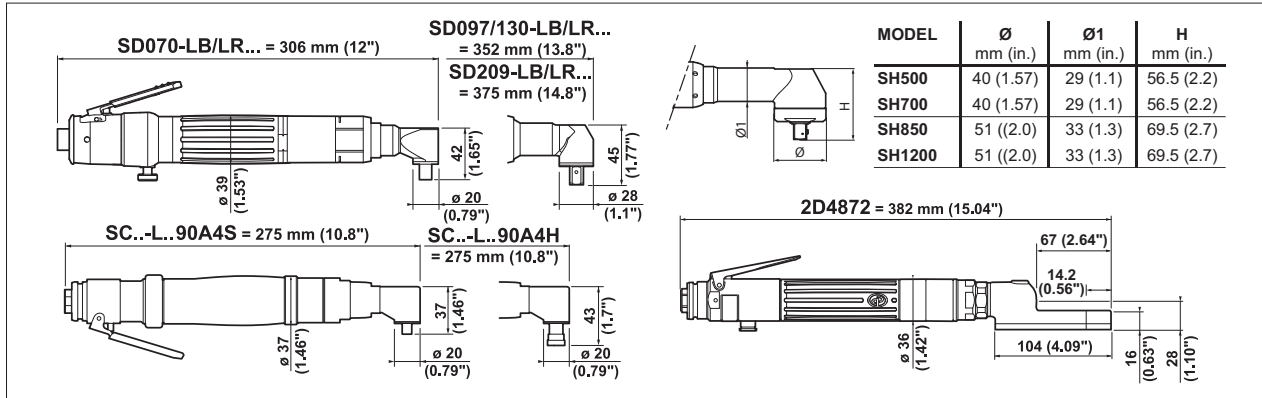
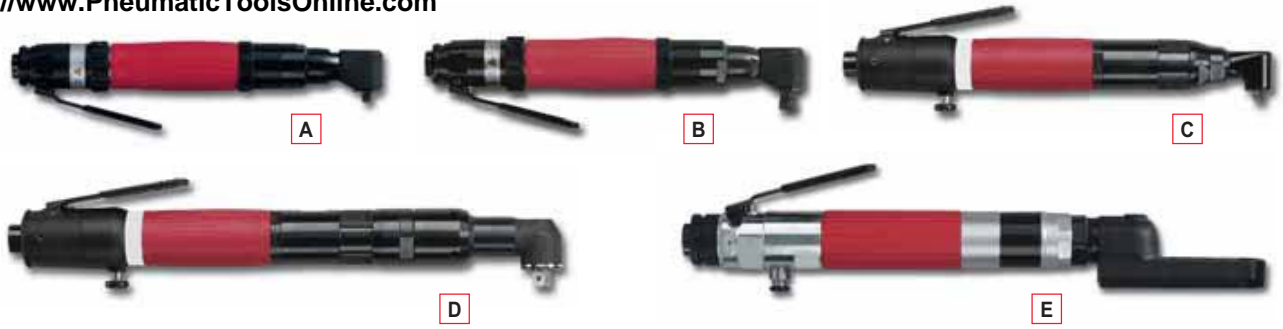


Angle head - Non Shut off



Accessories: see page 84

PIC REF	MODEL	PART NUMBER	FREE SPEED	OUTPUT	TORQUE RANGE		FITTED SPRING		WEIGHT		AIR FLOW		AIR INLET		HOSE INT. Ø	
					rpm	in.	Nm	in.lb	Nm	in.lb	kg	lb.	l/s	cfm	in.	mm
A	SC024-L2000-R90A4S	1459194	2000	1/4 sq	0.5-2.4	4.4-21.2	0.5-1.8	4.4-15.9	0.84	1.85	6.5	13.8	1/8	6	1/4	
A	SC022-L1400-R90A4S	1459184	1400	1/4 sq	0.5-2.2	4.4-19.5	0.8-2.2	7.1-19.5	0.84	1.85	6.5	13.8	1/8	6	1/4	
A	SC044-L950-R90A4S	1459174	950	1/4 sq	0.4-4.4	3.5-38.9	1.3-4.4	11.5-38.9	0.84	1.85	6.5	13.8	1/8	6	1/4	
A	SC044-L500-R90A4S	1459164	500	1/4 sq	0.4-4.4	3.5-38.9	1.0-4.4	8.9-38.9	0.84	1.85	6.5	13.8	1/8	6	1/4	
B	SC024-L2000-R90A4H	1459114	2000	1/4 hex	0.5-2.4	4.4-21.2	0.5-1.8	4.4-15.9	0.84	1.85	6.5	13.8	1/8	6	1/4	
B	SC022-L1400-R90A4H	1459104	1400	1/4 hex	0.5-2.2	4.4-19.5	0.8-2.2	7.1-19.5	0.84	1.85	6.5	13.8	1/8	6	1/4	
B	SC044-L950-R90A4H	1459094	950	1/4 hex	0.4-4.4	3.5-38.9	1.3-4.4	11.5-38.9	0.84	1.85	6.5	13.8	1/8	6	1/4	
B	SC044-L500-R90A4H	1459084	500	1/4 hex	0.4-4.4	3.5-38.9	1.0-4.4	8.9-38.9	0.84	1.85	6.5	13.8	1/8	6	1/4	
C	SD070-LB1100-R90-A4H	1463334	1100	1/4 hex	2.5-7.0	22.0-61.9	2.5-7.0	22.0-61.9	1.12	2.47	8.7	18.4	1/4	10	3/8	
C	SD070-LB820-R90-A4H	1463324	820	1/4 hex	2.5-7.0	22.0-61.9	2.5-7.0	22.0-61.9	1.12	2.47	8.7	18.4	1/4	10	3/8	
C	SD070-LB510-R90-A4H	1463314	510	1/4 hex	2.5-7.0	22.0-61.9	2.5-7.0	22.0-61.9	1.12	2.47	8.7	18.4	1/4	10	3/8	
C	SD070-LB320-R90-A4H	1463304	320	1/4 hex	2.5-7.0	22.0-61.9	2.5-7.0	22.0-61.9	1.12	2.47	8.7	18.4	1/4	10	3/8	
C	SD070-LR1100-R90-A4H	1463654	1100	1/4 hex	2.5-7.0	22.0-61.9	2.5-7.0	22.0-61.9	1.12	2.47	8.7	18.4	1/4	10	3/8	
C	SD070-LR820-R90-A4H	1463644	820	1/4 hex	2.5-7.0	22.0-61.9	2.5-7.0	22.0-61.9	1.12	2.47	8.7	18.4	1/4	10	3/8	
C	SD070-LR510-R90-A4H	1463634	510	1/4 hex	2.5-7.0	22.0-61.9	2.5-7.0	22.0-61.9	1.12	2.47	8.7	18.4	1/4	10	3/8	
C	SD070-LR320-R90-A4H	1463624	320	1/4 hex	2.5-7.0	22.0-61.9	2.5-7.0	22.0-61.9	1.12	2.47	8.7	18.4	1/4	10	3/8	
C	SD070-LB1100-R90-A4S	1463454	1100	1/4 sq	2.5-7.0	22.0-61.9	2.5-7.0	22.0-61.9	1.11	2.45	8.7	18.4	1/4	10	3/8	
C	SD070-LB820-R90-A4S	1463444	820	1/4 sq	2.5-7.0	22.0-61.9	2.5-7.0	22.0-61.9	1.11	2.45	8.7	18.4	1/4	10	3/8	
C	SD070-LB510-R90-A4S	1463434	510	1/4 sq	2.5-7.0	22.0-61.9	2.5-7.0	22.0-61.9	1.11	2.45	8.7	18.4	1/4	10	3/8	
C	SD070-LB320-R90-A4S	1463424	320	1/4 sq	2.5-7.0	22.0-61.9	2.5-7.0	22.0-61.9	1.11	2.45	8.7	18.4	1/4	10	3/8	
C	SD070-LR1100-R90-A4S	1463694	1100	1/4 sq	2.5-7.0	22.0-61.9	2.5-7.0	22.0-61.9	1.11	2.45	8.7	18.4	1/4	10	3/8	
C	SD070-LR820-R90-A4S	1463684	820	1/4 sq	2.5-7.0	22.0-61.9	2.5-7.0	22.0-61.9	1.11	2.45	8.7	18.4	1/4	10	3/8	
C	SD070-LR510-R90-A4S	1463674	510	1/4 sq	2.5-7.0	22.0-61.9	2.5-7.0	22.0-61.9	1.11	2.45	8.7	18.4	1/4	10	3/8	
C	SD070-LR320-R90-A4S	1463664	320	1/4 sq	2.5-7.0	22.0-61.9	2.5-7.0	22.0-61.9	1.11	2.45	8.7	18.4	1/4	10	3/8	
D	SD097-LB1080-R90-A10S	1463584	1080	3/8 sq	3.0-9.7	26.5-85.8	3.0-9.7	26.5-85.8	1.41	3.11	8.7	18.4	1/4	10	3/8	
D	SD130-LB600-R90-A10S	1463574	600	3/8 sq	4.5-13.0	39.8-115.0	4.5-13.0	39.8-115.0	1.41	3.11	8.7	18.4	1/4	10	3/8	
D	SD209-LB370-R90-A10S	1463564	370	3/8 sq	6.0-20.9	53.1-185.0	6.0-20.9	53.1-185.0	1.50	3.31	8.7	18.4	1/4	10	3/8	
D	SD097-LR1080-R90-A10S	1463724	1080	3/8 sq	3.0-9.7	26.5-85.8	3.0-9.7	26.5-85.8	1.41	3.11	8.7	18.4	1/4	10	3/8	
D	SD130-LR600-R90-A10S	1463714	600	3/8 sq	4.5-13.0	39.8-115.0	4.5-13.0	39.8-115.0	1.41	3.11	8.7	18.4	1/4	10	3/8	
D	SD209-LR370-R90-A10S	1463704	370	3/8 sq	6.0-20.9	53.1-185.0	6.0-20.9	53.1-185.0	1.50	3.31	8.7	18.4	1/4	10	3/8	
E	2D4872-LX-550	1388614	550	0.445" hex	3.6-6.8	31.9-60.2	3.6-6.8	31.9-60.2	1.10	2.42	8.5	18.0	1/4	10	3/8	

