



ST1000M Series Air Starters



The perfect fit for heavy-duty starts

Ingersoll Rand ST1000M Series air starters are built to withstand the toughest environmental and working conditions — combining robust features and proven power and efficiency to deliver ruggedly reliable, heavy-duty starting for oil and gas applications. ST1000M Series starters are also engineered to precisely match the same mounting configuration of many existing applications, making them easy to install without the need to reconfigure connections or piping.

Patent-pending slip-fit modular motor design makes servicing simple and convenient



Patent-pending solid aluminum rotor design enables reliable operation in harsh, contaminated environments by providing an open flow path for particles



Powerful, efficient design consumes up to 25 percent less air and gas than other models — reducing operating costs and lowering emissions, while generating up to 8 percent more horsepower and up to 18 percent more torque

2-inch NPT inlet simplifies installation

Elbow or straight exhaust configurations available for greater versatility

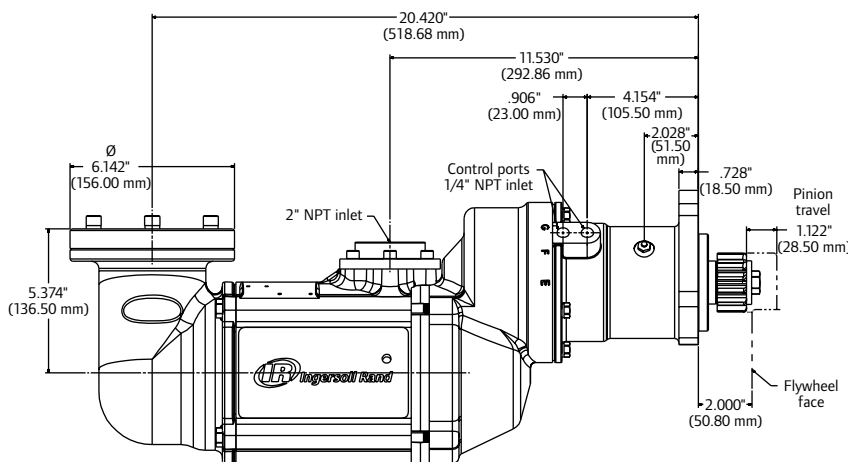


Patent-pending, fully supported high-speed rotor extends bearing life by minimizing deflection and ensuring concentric running

Aerodynamic speed-limited design and steel containment ring provide fail-safe reliability

Integral slip clutch design eliminates need for soft-start valve or other controls, reducing shock-loading and ensuring better protection of unit

Pre-engaged front end delivers time-proven durability



Distributed by:

Pressure psi (bar)	Breakaway Torque ft-lb (Nm)	Speed @ Max hp rpm	Max Power hp (kW)	Flow @ Max hp scfm (L/s)
ST1060 B Ratio				
30 (2)	53 (71)	1,175	7 (5)	370 (175)
60 (4)	115 (156)	1,550	20 (15)	590 (278)
90 (6)	220 (298)	1,780	39 (29)	820 (387)
120 (8)	295 (400)	1,900	53 (39)	1,050 (496)
150 (10)	353 (478)	2,050	70 (52)	1,290 (609)
ST1099 B Ratio				
30 (2)	82 (111)	1,425	13 (10)	540 (255)
60 (4)	200 (271)	1,850	36 (27)	890 (420)
90 (6)	347 (470)	2,060	68 (51)	1,240 (585)
ST1060 C Ratio				
30 (2)	62 (84)	1,025	7 (5)	370 (175)
60 (4)	143 (194)	1,350	20 (15)	590 (278)
90 (6)	256 (347)	1,515	39 (29)	820 (387)
120 (8)	342 (463)	1,675	53 (39)	1,050 (496)
150 (10)	409 (554)	1,780	70 (52)	1,290 (609)
ST1099 C Ratio				
30 (2)	98 (133)	1,225	13 (10)	540 (255)
60 (4)	234 (317)	1,580	36 (27)	890 (420)
90 (6)	400 (542)	1,770	68 (51)	1,240 (585)

