

Angle Head - Shut off

0.4 to 27 Nm (3.5 to 239 in.lb) - 160 to 2200 rpm



LOUZAMPINI & ASSOCIATES
 info@louzampini.com www.louzampini.com
 PHONE 1-800-353-4676 FAX 1-401-353-0113



See page 76

Accessories: see page 90



PIC REF	MODEL	PART NUMBER	FREE SPEED	OUTPUT DRIVE	TORQUE RANGE		FITTED SPRING		LENGTH		WEIGHT		AIR FLOW		AIR INLET		HOSE INT. Ø	
					rpm	in.	Nm	in.lb	Nm	in.lb	mm	in.	kg	lb.	l/s	cfm	in.	mm
TWO WAY																		
A	SC021-L2000-S90A4S	1459154	2000	1/4 sq	0.4-2.1	3.5-18.6	0.4-0.9	3.5-7.9	275	10.8	0.84	1.85	6.5	13.8	1/8	6	1/4	
A	SC021-L1400-S90A4S	1459144	1400	1/4 sq	0.4-2.1	3.5-18.6	0.6-2.1	5.3-18.6	275	10.8	0.84	1.85	6.5	13.8	1/8	6	1/4	
A	SC043-L950-S90A4S	1459134	950	1/4 sq	0.4-4.3	3.5-38	0.9-4.3	7.9-38	275	10.8	0.84	1.85	6.5	13.8	1/8	6	1/4	
A	SC047-L500-S90A4S	1459124	500	1/4 sq	0.4-4.7	3.5-41.5	0.9-4.7	7.9-41.5	275	10.8	0.84	1.85	6.5	13.8	1/8	6	1/4	
B	SC021-L2200-S45A4S	1459574	2200	1/4 sq	0.4-2.1	3.5-18.6	0.4-0.9	3.5-7.9	339	13.3	0.85	1.87	6.5	13.8	1/8	6	1/4	
B	SC021-L1500-S45A4S	1459584	1500	1/4 sq	0.4-2.1	3.5-18.6	0.6-2.1	5.3-18.6	339	13.3	0.85	1.87	6.5	13.8	1/8	6	1/4	
B	SC043-L1050-S45A4S	1459594	1050	1/4 sq	0.4-4.3	3.5-38	0.9-4.3	7.9-38	339	13.3	0.85	1.87	6.5	13.8	1/8	6	1/4	
B	SC047-L520-S45A4S	1459604	520	1/4 sq	0.4-4.7	3.5-41.5	0.9-4.7	7.9-41.5	339	13.3	0.85	1.87	6.5	13.8	1/8	6	1/4	
B	SC021-L2200-S45A4H	1459484	2200	1/4 hex	0.4-2.1	3.5-18.6	0.4-0.9	3.5-7.9	339	13.3	0.84	1.85	6.5	13.8	1/8	6	1/4	
B	SC021-L1500-S45A4H	1459494	1500	1/4 hex	0.4-2.1	3.5-18.6	0.6-2.1	5.3-18.6	339	13.3	0.84	1.85	6.5	13.8	1/8	6	1/4	
B	SC043-L1050-S45A4H	1459504	1050	1/4 hex	0.4-4.3	3.5-38	0.9-4.3	7.9-38	339	13.3	0.84	1.85	6.5	13.8	1/8	6	1/4	
B	SC047-L520-S45A4H	1459514	520	1/4 hex	0.4-4.7	3.5-41.5	0.9-4.7	7.9-41.5	339	13.3	0.84	1.85	6.5	13.8	1/8	6	1/4	
C	SC021-L2000-S90A4H	1459074	2000	1/4 hex	0.4-2.1	3.5-18.6	0.4-0.9	3.5-7.9	275	10.8	1.12	2.47	6.5	13.8	1/8	6	1/4	
C	SC021-L1400-S90A4H	1459064	1400	1/4 hex	0.4-2.1	3.5-18.6	0.6-2.1	5.3-18.6	275	10.8	1.12	2.47	6.5	13.8	1/8	6	1/4	
C	SC043-L950-S90A4H	1459054	950	1/4 hex	0.4-4.3	3.5-38	0.9-4.3	7.9-38	275	10.8	1.12	2.47	6.5	13.8	1/8	6	1/4	
C	SC047-L500-S90A4H	1459044	500	1/4 hex	0.4-4.7	3.5-41.5	0.9-4.7	7.9-41.5	275	10.8	1.12	2.47	6.5	13.8	1/8	6	1/4	
D	SD070-LB1100-S90-A4H	1463254	1100	1/4 hex	2.5-7	22-61.9	2.5-7	22-61.9	305	12.0	1.12	2.47	8.7	18.4	1/4	10	3/8	
D	SD070-LB820-S90-A4H	1463244	820	1/4 hex	2.5-7	22-61.9	2.5-7	22-61.9	305	12.0	1.12	2.47	8.7	18.4	1/4	10	3/8	
D	SD070-LB510-S90-A4H	1463234	510	1/4 hex	2.5-7	22-61.9	2.5-7	22-61.9	305	12.0	1.12	2.47	8.7	18.4	1/4	10	3/8	
D	SD070-LB320-S90-A4H	1463224	320	1/4 hex	2.5-7	22-61.9	2.5-7	22-61.9	305	12.0	1.12	2.47	8.7	18.4	1/4	10	3/8	
D	SD070-LR1100-S90-A4H	1463294	1100	1/4 hex	2.5-7	22-61.9	2.5-7	22-61.9	305	12.0	1.11	2.45	8.7	18.4	1/4	10	3/8	
D	SD070-LR820-S90-A4H	1463284	820	1/4 hex	2.5-7	22-61.9	2.5-7	22-61.9	305	12.0	1.11	2.45	8.7	18.4	1/4	10	3/8	
D	SD070-LR510-S90-A4H	1463274	510	1/4 hex	2.5-7	22-61.9	2.5-7	22-61.9	305	12.0	1.11	2.45	8.7	18.4	1/4	10	3/8	
D	SD070-LR320-S90-A4H	1463264	320	1/4 hex	2.5-7	22-61.9	2.5-7	22-61.9	305	12.0	1.11	2.45	8.7	18.4	1/4	10	3/8	
D	SD070-LB1100-S90-A4S	1463374	1100	1/4 sq	2.5-7	22-61.9	2.5-7	22-61.9	305	12.0	1.11	2.45	8.7	18.4	1/4	10	3/8	
D	SD070-LB820-S90-A4S	1463364	820	1/4 sq	2.5-7	22-61.9	2.5-7	22-61.9	305	12.0	1.11	2.45	8.7	18.4	1/4	10	3/8	
D	SD070-LB510-S90-A4S	1463354	510	1/4 sq	2.5-7	22-61.9	2.5-7	22-61.9	305	12.0	1.11	2.45	8.7	18.4	1/4	10	3/8	
D	SD070-LB320-S90-A4S	1463344	320	1/4 sq	2.5-7	22-61.9	2.5-7	22-61.9	305	12.0	1.11	2.45	8.7	18.4	1/4	10	3/8	
D	SD070-LR1100-S90-A4S	1463414	1100	1/4 sq	2.5-7	22-61.9	2.5-7	22-61.9	305	12.0	1.11	2.45	8.7	18.4	1/4	10	3/8	
D	SD070-LR820-S90-A4S	1463404	820	1/4 sq	2.5-7	22-61.9	2.5-7	22-61.9	305	12.0	1.11	2.45	8.7	18.4	1/4	10	3/8	
D	SD070-LR510-S90-A4S	1463394	510	1/4 sq	2.5-7	22-61.9	2.5-7	22-61.9	305	12.0	1.11	2.45	8.7	18.4	1/4	10	3/8	
D	SD070-LR320-S90-A4S	1463384	320	1/4 sq	2.5-7	22-61.9	2.5-7	22-61.9	305	12.0	1.11	2.45	8.7	18.4	1/4	10	3/8	
D	SD070-LR160-S90-A4S	205 146 705 4	160	1/4 sq	2.5-7	22-61.9	2.5-7	22-61.9	306	12.0	1.11	2.45	8.7	18.4	1/4	10	3/8	
D	SD072-LB1080-S90-A10S	1463504	1080	3/8 sq	2.5-7.2	22-63.7	2.5-7.2	22-63.7	353	13.9	1.41	3.11	8.7	18.4	1/4	10	3/8	
E	SD095-LB800-S90-A10S	1463494	800	3/8 sq	3-9.5	26.6-84.1	3-9.5	26.6-84.1	353	13.9	1.41	3.11	8.7	18.4	1/4	10	3/8	
E	SD130-LB600-S90-A10S	1463484	600	3/8 sq	4.5-12	39.8-106	4.5-12	39.8-106	353	13.9	1.41	3.11	8.7	18.4	1/4	10	3/8	
E	SD209-LB370-S90-A10S	1463474	370	3/8 sq	6-19	53.1-168	6-19	53.1-168	376	14.8	1.50	3.31	8.7	18.4	1/4	10	3/8	
E	SD300-LB250-S90-A10S	1463464	250	3/8 sq	11-27	97.3-239	11-27	97.3-239	376	14.8	1.50	3.31	8.7	18.4	1/4	10	3/8	
E	SD072-LR1080-S90-A10S	1463554	1080	3/8 sq	2.5-7.2	22-63.7	2.5-7.2	22-63.7	376	14.8	1.41	3.11	8.7	18.4	1/4	10	3/8	
E	SD095-LR800-S90-A10S	1463544	800	3/8 sq	3-9.5	26.6-84.1	3-9.5	26.6-84.1	376	14.8	1.41	3.11	8.7	18.4	1/4	10	3/8	
E	SD130-LR600-S90-A10S	1463534	600	3/8 sq	4.5-12	39.8-106	4.5-12	39.8-106	376	14.8	1.41	3.11	8.7	18.4	1/4	10	3/8	
E	SD209-LR370-S90-A10S	1463524	370	3/8 sq	6-19	53.1-168	6-19	53.1-168	376	14.8	1.41	3.11	8.7	18.4	1/4	10	3/8	
E	SD300-LR250-S90-A10S	1463514	250	3/8 sq	11-27	97.3-239	11-27	97.3-239	376	14.8	1.50	3.31	8.7	18.4	1/4	10	3/8	
E	SD300-LR180-S90-A10S	205 146 704 4	180	3/8 sq	11-27	97.3-239	11-27	97.3-239	375	14.8	1.50	3.30	8.7	18.4	1/4	10	3/8	

SH range - Angle head - Shut off

2.5 to 200 Nm (22.1 to 1770 in.lb) - 80 to 1100 rpm



• PRODUCTIVITY

- High speed with joint stiffness capability

• QUALITY

- High accuracy with immediate shut off
- Improve your process quality with FAS3000

• ERGONOMY

- Low reaction force on hard joint

• DURABILITY

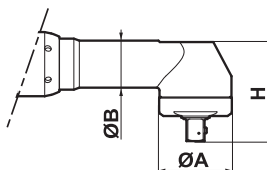
- Low frequency maintenance
- Quick service time



Option:
Reaction bar for SH850/1200/2000



FAS3000 (optional): PLC External control
OK / NOK reporting Batch count



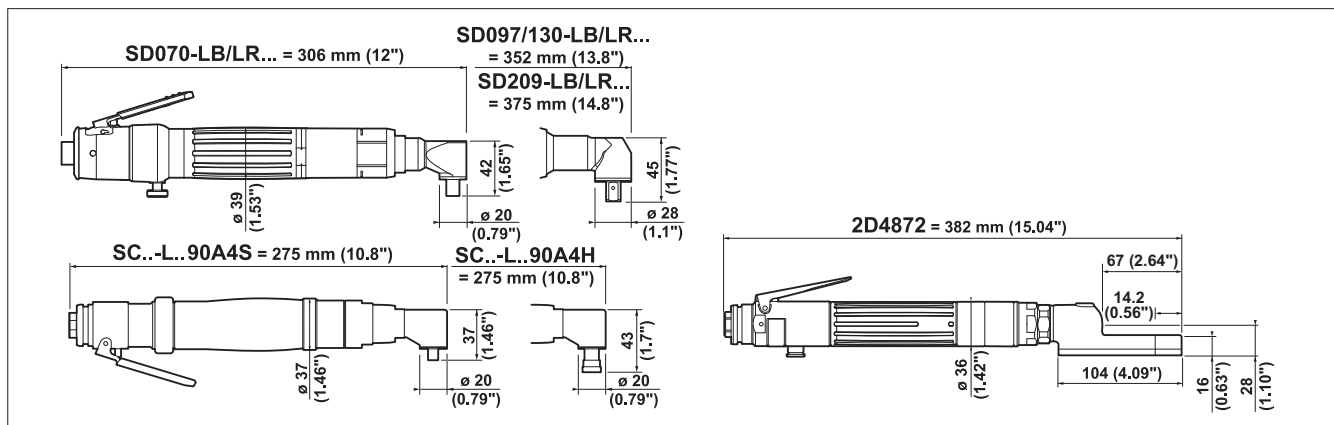
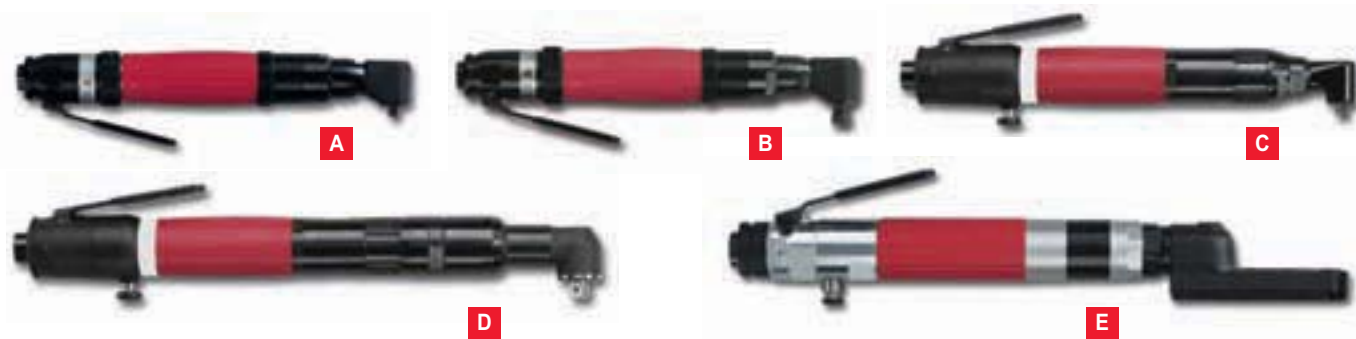
MODEL	ANGLE HEAD DIMENSIONS					
	ØA		ØB		H	
	mm	in.	mm	in.	mm	in.
SH70	20	0.79	20	0.79	36.6	1.44
SH150	22	0.87	21	0.83	35.2	1.38
SH200	27	1.06	27	1.06	45.5	1.79
SH280	27	1.06	24	0.94	41.5	1.63
SH420	40	1.57	29	1.10	56.5	2.20
SH500	40	1.57	29	1.10	56.5	2.20
SH700	40	1.57	29	1.10	56.5	2.20
SH850	51	2.00	33	1.30	69.5	2.70
SH1200	51	2.00	33	1.30	69.5	2.70
SH2000	51	2.00	33	1.30	69.5	2.70

Accessories: see page 90

PIC REF	MODEL	PART NUMBER	BOLT SIZE	FREE SPEED	SQUARE DRIVE	TORQUE RANGE		LENGTH		WEIGHT		AIR FLOW		AIR INLET	HOSE INT. Ø	
				rpm	in	Nm	in.lb	mm	in.	kg	lb.	l/s	cfm	in.	mm	in.
A	SH70-LR1100-S90-A4S	205 147 628 4	M5	1100	1/4	2.5-7	22.1-61.9	334	13.1	1.3	2.9	8	17	1/4	8	5/16
B	SH150-LR580-S90-A10S	205 147 629 4	M6	560	3/8	7-15	61.9-44.2	349	13.7	1.4	3.1	10	21	1/4	10	3/8
B	SH200-LR550-S90-A10S	205 147 630 4	M6	530	3/8	10-19	88.5-168	355	14.0	1.4	3.1	10	21	1/4	10	3/8
B	SH280-LR350-S90-A10S	205 147 631 4	M8	340	3/8	14-28	124-248	350	13.8	1.4	3.1	10	21	1/4	10	3/8
B	SH280-LR80-S90-A10S	205 147 632 4	M8	80	3/8	14-28	124-248	350	13.8	1.4	3.1	10	21	1/4	10	3/8
C	SH420-LR400-S90-A10S	205 147 800 4	M10	400	3/8	20-42	177-372	436	17.2	2.0	4.4	16	34	1/4	10	3/8
C	SH500-LR330-S90-A13S	205 147 473 4	M10	330	1/2	25-50	221-442	453	17.8	2.2	4.8	16	34	1/4	10	3/8
D	SH700-LR225-S90-A13S	205 147 474 4	M10-M12	225	1/2	34-70	301-619	487	19.2	2.4	5.3	16	34	1/4	10	3/8
D	SH850-LR190-S90-A13S	205 147 475 4	M12	190	1/2	40-85	354-752	530	20.8	2.8	6.1	16	34	1/4	10	3/8
E	SH1200-LR215-S90-A13S	205 147 476 4	M12-M14	215	1/2	70-120	354-1062	590	23.2	3.5	7.6	28	59	1/2	13	1/2
E	SH2000-LR100-S90-A13S	205 147 801 4	M12-M14	100	1/2	115-200	1018-1770	608	23.9	4.4	9.7	28	59	1/2	13	1/2

Angle head - Non Shut off

0.4 to 19 Nm (3.5 to 168 in.lb) - 320 to 2000 rpm

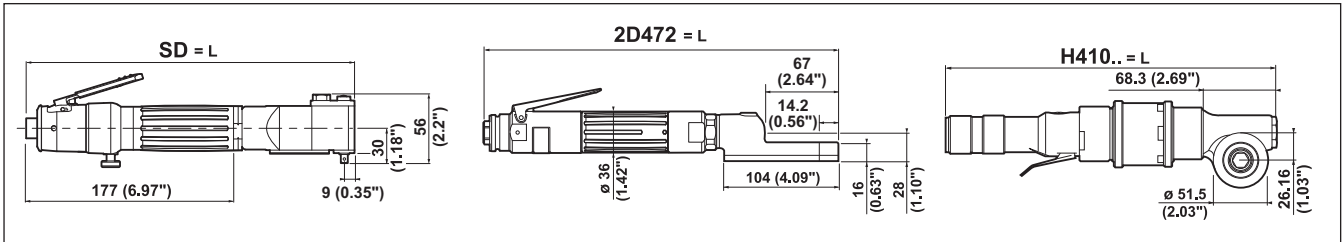


Accessories: see page 90

PIC REF	MODEL	PART NUMBER	FREE SPEED	OUTPUT DRIVE	TORQUE RANGE			FITTED SPRING		WEIGHT		AIR FLOW		AIR INLET		HOSE INT. Ø
					rpm	in.	Nm	in.lb	Nm	in.lb	kg	lb.	l/s	cfm	in.	mm
A	SC024-L2000-R90A4S	1459194	2000	1/4 sq	0.5-2.4	4.4-21.2	0.5-1.8	4.4-15.9	0.84	1.85	6.5	13.8	1/8	6	1/4	
A	SC022-L1400-R90A4S	1459184	1400	1/4 sq	0.5-2.2	4.4-19.5	0.8-2.2	7.1-19.5	0.84	1.85	6.5	13.8	1/8	6	1/4	
A	SC044-L950-R90A4S	1459174	950	1/4 sq	0.4-4.4	3.5-38.9	1.3-4.4	11.5-38.9	0.84	1.85	6.5	13.8	1/8	6	1/4	
A	SC044-L500-R90A4S	1459164	500	1/4 sq	0.4-4.4	3.5-38.9	1-4.4	8.9-38-9	0.84	1.85	6.5	13.8	1/8	6	1/4	
B	SC024-L2000-R90A4H	1459114	2000	1/4 hex	0.5-2.4	4.4-21.2	0.5-1.8	4.4-15.9	0.84	1.85	6.5	13.8	1/8	6	1/4	
B	SC022-L1400-R90A4H	1459104	1400	1/4 hex	0.5-2.2	4.4-19.5	0.8-2.2	7.1-19.5	0.84	1.85	6.5	13.8	1/8	6	1/4	
B	SC044-L950-R90A4H	1459094	950	1/4 hex	0.4-4.4	3.5-38.9	1.3-4.4	11.5-38.9	0.84	1.85	6.5	13.8	1/8	6	1/4	
B	SC044-L500-R90A4H	1459084	500	1/4 hex	0.4-4.4	3.5-38.9	1-4.4	8.9-38-9	0.84	1.85	6.5	13.8	1/8	6	1/4	
C	SD070-LB1100-R90-A4H	1463334	1100	1/4 hex	2.5-7	22-61.9	2.5-7	22-61.9	1.12	2.47	8.7	18.4	1/4	10	3/8	
C	SD070-LB820-R90-A4H	1463324	820	1/4 hex	2.5-7	22-61.9	2.5-7	22-61.9	1.12	2.47	8.7	18.4	1/4	10	3/8	
C	SD070-LB510-R90-A4H	1463314	510	1/4 hex	2.5-7	22-61.9	2.5-7	22-61.9	1.12	2.47	8.7	18.4	1/4	10	3/8	
C	SD070-LB320-R90-A4H	1463304	320	1/4 hex	2.5-7	22-61.9	2.5-7	22-61.9	1.12	2.47	8.7	18.4	1/4	10	3/8	
C	SD070-LR1100-R90-A4H	1463654	1100	1/4 hex	2.5-7	22-61.9	2.5-7	22-61.9	1.12	2.47	8.7	18.4	1/4	10	3/8	
C	SD070-LR820-R90-A4H	1463644	820	1/4 hex	2.5-7	22-61.9	2.5-7	22-61.9	1.12	2.47	8.7	18.4	1/4	10	3/8	
C	SD070-LR510-R90-A4H	1463634	510	1/4 hex	2.5-7	22-61.9	2.5-7	22-61.9	1.12	2.47	8.7	18.4	1/4	10	3/8	
C	SD070-LR320-R90-A4H	1463624	320	1/4 hex	2.5-7	22-61.9	2.5-7	22-61.9	1.12	2.47	8.7	18.4	1/4	10	3/8	
C	SD070-LB1100-R90-A4S	1463454	1100	1/4 sq	2.5-7	22-61.9	2.5-7	22-61.9	1.11	2.45	8.7	18.4	1/4	10	3/8	
C	SD070-LB820-R90-A4S	1463444	820	1/4 sq	2.5-7	22-61.9	2.5-7	22-61.9	1.11	2.45	8.7	18.4	1/4	10	3/8	
C	SD070-LB510-R90-A4S	1463434	510	1/4 sq	2.5-7	22-61.9	2.5-7	22-61.9	1.11	2.45	8.7	18.4	1/4	10	3/8	
C	SD070-LB320-R90-A4S	1463424	320	1/4 sq	2.5-7	22-61.9	2.5-7	22-61.9	1.11	2.45	8.7	18.4	1/4	10	3/8	
C	SD070-LR1100-R90-A4S	1463694	1100	1/4 sq	2.5-7	22-61.9	2.5-7	22-61.9	1.11	2.45	8.7	18.4	1/4	10	3/8	
C	SD070-LR820-R90-A4S	1463684	820	1/4 sq	2.5-7	22-61.9	2.5-7	22-61.9	1.11	2.45	8.7	18.4	1/4	10	3/8	
C	SD070-LR510-R90-A4S	1463674	510	1/4 sq	2.5-7	22-61.9	2.5-7	22-61.9	1.11	2.45	8.7	18.4	1/4	10	3/8	
C	SD070-LR320-R90-A4S	1463664	320	1/4 sq	2.5-7	22-61.9	2.5-7	22-61.9	1.11	2.45	8.7	18.4	1/4	10	3/8	
D	SD097-LB1080-R90-A10S	1463584	1080	3/8 sq	3-9.7	26.5-85.8	3-9.7	26.5-85.8	1.41	3.11	8.7	18.4	1/4	10	3/8	
D	SD130-LB600-R90-A10S	1463574	600	3/8 sq	4.5-12	39.8-106	4.5-12	39.8-106	1.41	3.11	8.7	18.4	1/4	10	3/8	
D	SD209-LB370-R90-A10S	1463564	370	3/8 sq	6-19	53.1-168	6-19	53.1-168	1.50	3.31	8.7	18.4	1/4	10	3/8	
D	SD097-LR1080-R90-A10S	1463724	1080	3/8 sq	3-9.7	26.5-85.8	3-9.7	26.5-85.8	1.41	3.11	8.7	18.4	1/4	10	3/8	
D	SD130-LR600-R90-A10S	1463714	600	3/8 sq	4.5-12	39.8-106	4.5-12	39.8-106	1.41	3.11	8.7	18.4	1/4	10	3/8	
D	SD209-LR370-R90-A10S	1463704	370	3/8 sq	6-19	53.1-168	6-19	53.1-168	1.50	3.31	8.7	18.4	1/4	10	3/8	
E	2D4872-LX-550	1388614	550	0.445" hex	3.6-6.8	31.9-60.2	3.6-6.8	31.9-60.2	1.10	2.42	8.5	18.0	1/4	10	3/8	

Angle Head - Direct drive

1.2 to 105 Nm (10.6 to 929 in.lb) - 60 to 800 rpm



SD - Stall Torque (Nm) Setting using Regulator Part No. 81223

Accessories: see page 89

MODEL	REGULATOR POSITION						Open
	1	2	3	4	5	6	
Inlet Pressure - 6.3 bar							
SD130-LB500-D90-A4S	3.2	3.5	5.3	7.0	10.0	12.5	13.0
SD096-LB800-D90-A4S	2.6	2.8	4.0	5.5	7.3	9.0	9.6
Inlet Pressure - 4.0 bar							
SD130-LB500-D90-A4S	2.0	2.7	3.0	4.2	6.0	8.2	9.0
SD096-LB800-D90-A4S	1.5	1.7	2.5	3.0	4.5	5.5	6.0

H410 - Stall Torque (Nm) Setting using a Typical Regulator

MODEL	REGULATOR POSITION									
	10%	20%	30%	40%	50%	60%	70%	80%	90%	Open
Inlet Pressure - 6.3 bar										
H410-N-500	3	6	9	12	15	18	21	24	27	30
H410-N-350	5	9	14	18	23	27	32	36	41	45
H410-N-150	8	16	24	32	40	48	56	64	72	80
H410-N-90	16	32	48	63	79	95	-	-	-	-
H410-N-60	20	40	60	80	-	-	-	-	-	-
Inlet Pressure - 4.0 bar										
H410-N-500	2	4	6	8	9	11	13	15	17	19
H410-N-350	3	6	9	11	14	17	20	23	26	28
H410-N-150	5	10	15	20	25	30	35	40	45	50
H410-N-90	10	20	30	40	50	60	70	80	90	100
H410-N-60	4	30	45	60	75	90	105	-	-	-

Maximum stall torque 105Nm.

Performance will differ from the figures above depending on the regulator used.

Data obtained from a lubricated air line.

Torque figures are to be used as a guide only.

* Must never be used without regulator with a pressure higher than 4 bars

** Must never be used without regulator with a pressure higher than 2 bars

H410-N – When using direct drive screwdrivers, it is strongly advised to equip the machines with a reaction bar to compensate against potentially high torque reaction and avoid operator injury.

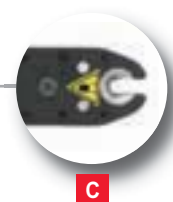
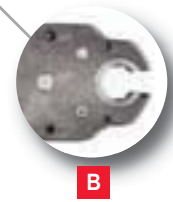
PIC REF	MODEL	PART NUMBER	FREE SPEED	OUTPUT DRIVE	TORQUE RANGE		LENGTH L		WEIGHT		AIR FLOW		AIR INLET	HOSE INT. Ø	
					Nm	in.lb	mm	in.	kg	lb.	l/s	cfm	in.	mm	in.
A	SD130-LB500-D90-A4S	1465974	500	1/4 sq	2-13	17.7-115	326	12.8	1.08	2.38	8.7	18.4	1/4	10	3/8
A	SD096-LB800-D90-A4S	1465984	800	1/4 sq	1.5-9.6	13.3-85	326	12.8	1.08	2.38	8.7	18.4	1/4	10	1/4
B	2D472-LX-550	1388534	550	0.445 hex	1.2-12.6	10.6-111	316	12.4	1.0	2.20	8.5	18.0	1/4	10	1/4
C	H410-N-500	1302374	500	0.525 hex	3-30	26.6-265	319	12.6	1.70	3.74	17.9	37.9	3/8	12	1/2
C	H410-N-350	1302454	350	0.525 hex	4.5-45	39.8-398	319	12.6	1.70	3.74	17.9	37.9	3/8	12	1/2
C	H410-N-150	1302534	150	0.525 hex	8-80	70.8-708	358	14.1	2.00	4.41	17.9	37.9	3/8	12	1/2
C	H410-N-90*	1302614	90	0.525 hex	10-105	88.5-929	358	14.1	2.00	4.41	13.2	27.9	3/8	12	1/2
C	H410-N-60**	1302794	60	0.525 hex	10-105	88.5-929	358	14.1	2.00	4.41	13.2	27.9	3/8	12	1/2

Crowfoot and Tube nut tools - Angle head

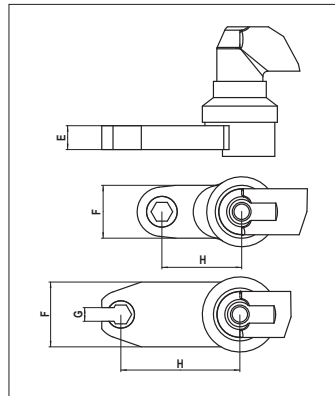
4 to 41 Nm (35 to 363 in.lb) - 240 to 430 rpm



LOUZAMPINI & ASSOCIATES
 info@louzampini.com www.louzampini.com
 PHONE 1-800-353-4676 FAX 1-401-353-0113



MODEL	ACROSS FLATS	E		F		G		H	
		mm	in.	mm	in.	mm	in.	mm	in.
SH330-LB430-CE13-CC53	13	19	0.75	32	1.26	N/A		52.8	2.07
SH410-LB400-CE17-CC68	17	19	0.75	39	1.54	N/A		67.6	2.66
SH330-LB330-OE11-CC53	11	18	0.71	40	1.57	10.4	0.41	52.9	2.08
SH330-LB330-OE11-CC75	11	18	0.71	40	1.57	10.4	0.41	75.3	2.96
SH330-LB330-OE13-CC53	13	18	0.71	40	1.57	10.4	0.41	52.9	2.08
SH330-LB330-OE13-CC75	13	18	0.71	40	1.57	10.4	0.41	75.3	2.96
SD160-LB240-S-OE17-CC92	17	14	0.55	48	1.89	12	0.47	91.5	3.60
SD160-LB240-S-OE13-CC80	13	12	0.47	38	1.49	7	0.27	79.6	3.13
SD160-LB240-S-OE12-CC80	12	12	0.47	38	1.49	7	0.27	79.6	3.13
SD160-LB240-S-OE10-CC80	10	12	0.47	38	1.49	7	0.27	79.6	3.13
SD120-LB320-S-OE08-CC80	8	12	0.47	38	1.49	7	0.27	79.6	3.13
SD120-LB320-S-OE07-CC80	7	12	0.47	38	1.49	7	0.27	79.6	3.13



- * Up to 14mm sockets possible as an option.
- * Possibility to have extension drive sockets.
- * Contact your local Desoutter sales engineer for all other requests.

Accessories: see page 90



PIC REF	MODEL	PART NUMBER	FREE SPEED	ACROSS FLATS		TORQUE RANGE		LENGTH		WEIGHT		AIR FLOW		AIR INLET	HOSE INT. Ø
				mm	Nm	in.lb	mm	in.	kg	lb.	l/s	cfm	in.	mm	in.

Offset crowfoot tools - Shut Off

A	SH330-LB430-CE13-CC53	205 147 815 4	430	13	16-33	142-212	508	20.0	2.6	5.7	18	38.1	1/4	10	3/8
A	SH410-LB400-CE17-CC68	205 147 817 4	400	17	18-41	159-363	600	23.6	3.9	8.6	28	59.3	1/2	10	3/8

Offset tube nut tools - Shut Off

B	SH330-LB330-OE11-CC53	205 147 818 4	330	11	16.5-33	146-292	498.3	19.6	2.7	5.9	18	38.1	1/4	10	3/8
B	SH330-LB330-OE11-CC75	205 147 819 4	330	11	16.5-33	146-292	498.3	19.6	2.7	5.9	18	38.1	1/4	10	3/8
B	SH330-LB330-OE13-CC53	205 147 820 4	330	13	16.5-33	146-292	520.7	20.5	2.8	6.2	18	38.1	1/4	10	3/8
B	SH330-LB330-OE13-CC75	205 147 821 4	330	13	16.5-33	146-292	520.7	20.5	2.8	6.2	18	38.1	1/4	10	3/8

Offset tube nut tools - Shut Off

C	SD160-LB240-S-OE17-CC92	1463594	240	17	7-16	62-142	453	17.8	1.9	4.2	8.7	18.4	1/4	10	3/8
C	SD160-LB240-S-OE13-CC80	1463604	240	13	7-16	62-142	453	17.8	1.8	4.0	8.7	18.4	1/4	10	3/8
C	SD160-LB240-S-OE12-CC80	1463614	240	12	7-16	62-142	453	17.8	1.8	4.0	8.7	18.4	1/4	10	3/8
C	SD160-LB240-S-OE10-CC80	1463734	240	10	7-16	62-142	453	17.8	1.8	4.0	8.7	18.4	1/4	10	3/8
C	SD120-LB320-S-OE08-CC80	1463744	320	8	4-12	35-106	453	17.8	1.8	4.0	8.7	18.4	1/4	10	3/8
C	SD120-LB320-S-OE07-CC80	1463754	320	7	4-12	35-106	453	17.8	1.8	4.0	8.7	18.4	1/4	10	3/8
•	SD160-LB240-S-OE	1464474	240	3/8" sq.	7-16	62-142			1.5	3.3	8.7	18.4	1/4	10	3/8
•	SD120-LB320-S-OE	1464484	320	3/8" sq.	4-12	35-106			1.5	3.3	8.7	18.4	1/4	10	3/8